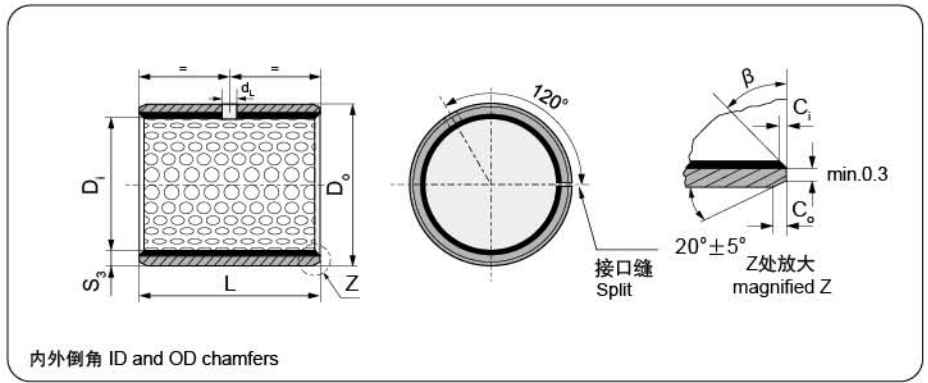
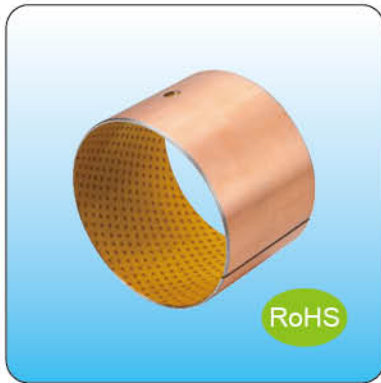


PX-2Y 轴套 (低碳钢板+铜粉层+POM)

PX-2Y BUSHING (Steel Backing +Sintered Bronze+POM Layer)



S ₃	C _o	C _i	β
1.0	0.6±0.3	0.30±0.2	30°±5°
1.5	0.7±0.3	0.50±0.2	30°±5°

S ₃	C _o	C _i	β
2.00	1.2±0.4	0.50±0.3	30°±5°
2.50	1.8±0.6	0.80±0.3	45°±5°

单位Unit: mm

轴径 Shaft D _s h8	座孔 Housing H7 D _H	(OD) 外径公差 Tolerance D _O	(ID)压装后 内孔公差 After fixed D _{i,a}	配合间隙 Clearance D _b	壁厚 Wall thick- ness S ₃	油孔 Oil hole d _L	长度 L ⁰ _{-0.40}															
							10	15	20	25	30	35	40	45	50	60						
10 _{-0.022}	12 ^{+0.018}	12 ^{+0.065} _{+0.030}	10.108 10.040	0.130 0.040	0.980 0.955	4	1010	1015	1020													
12 _{-0.027}	14 ^{+0.018}	14 ^{+0.065} _{+0.030}	12.108 12.040				1210	1215	1220													
14 _{-0.027}	16 ^{+0.018}	16 ^{+0.065} _{+0.030}	14.108 14.040				1415	1420														
15 _{-0.027}	17 ^{+0.018}	17 ^{+0.065} _{+0.030}	15.108 15.040				1515	1520	1525													
16 _{-0.027}	18 ^{+0.018}	18 ^{+0.065} _{+0.030}	16.108 16.040				1615	1620	1625													
18 _{-0.027}	20 ^{+0.021}	20 ^{+0.075} _{+0.035}	18.111 18.040				0.138 0.040			1815	1820	1825										
20 _{-0.033}	23 ^{+0.021}	23 ^{+0.075} _{+0.035}	20.131 20.050	0.164 0.050	1.475 1.445	6	2015	2020	2025	2030												
22 _{-0.033}	25 ^{+0.021}	25 ^{+0.075} _{+0.035}	22.131 22.050				2215	2220	2225	2230												
25 _{-0.033}	28 ^{+0.021}	28 ^{+0.075} _{+0.035}	25.131 25.050				2515	2520	2525	2530												
28 _{-0.033}	32 ^{+0.025}	32 ^{+0.085} _{+0.045}	28.155 28.060	0.188 0.060	1.970 1.935	8		2820	2825	2830												
30 _{-0.033}	34 ^{+0.025}	34 ^{+0.085} _{+0.045}	30.155 30.060				3020	3025	3030	3035	3040											
35 _{-0.039}	39 ^{+0.025}	39 ^{+0.085} _{+0.045}	35.155 35.060	0.194 0.060	2.460 2.415	8		3520	3525	3530	3535	3540										
40 _{-0.039}	44 ^{+0.025}	44 ^{+0.085} _{+0.045}	40.155 40.060				4020	4025	4030	4035	4040	4045	4050									
45 _{-0.039}	50 ^{+0.025}	50 ^{+0.085} _{+0.045}	45.195 45.080	0.234 0.080	2.460 2.415	8		4520	4525	4530	4535	4540	4545	4550								
50 _{-0.039}	55 ^{+0.030}	55 ^{+0.100} _{+0.055}	50.200 50.080				5030	5035	5040	5045	5050	5060										
55 _{-0.046}	60 ^{+0.030}	60 ^{+0.100} _{+0.055}	55.200 55.080	0.246 0.080	2.460 2.415	8				5530	5535	5540	5545	5550	5560							
60 _{-0.046}	65 ^{+0.030}	65 ^{+0.100} _{+0.055}	60.200 60.080				6030	6035	6040	6045	6050	6060										

PX-2Y 轴套 (低碳钢板+铜粉层+POM)

PX-2Y BUSHING (Steel Backing +Sintered Bronze+POM Layer)

轴径 Shaft D _s h8	座孔 Housing H7 D _H	(OD) 外径公差 Tolerance D _o	(ID)压装后 内孔公差 After fixed D _{i,a}	配合间隙 Clearance D _o	壁厚 Wall thick- ness S ₃	油孔 Oil hole d _L	长度 L ⁰ _{-0.40}											
							40	50	60	80	90	95	100	110	120			
65 _{-0.046}	70 ^{+0.030}	70 ^{+0.100} _{+0.055}	65.200 65.080	0.246 0.080	2.460 2.415	8	6540	6550	6560									
70 _{-0.046}	75 ^{+0.030}	75 ^{+0.100} _{+0.055}	70.200 70.080				7040	7050	7060	7080								
75 _{-0.046}	80 ^{+0.030}	80 ^{+0.100} _{+0.055}	75.200 75.080				7540	7550	7560	7580								
80 _{-0.046}	85 ^{+0.035}	85 ^{+0.120} _{+0.070}	80.265 80.100	0.313 0.100	2.450 2.385	9.5	8040	8050	8060	8080								
85 _{-0.054}	90 ^{+0.035}	90 ^{+0.120} _{+0.070}	85.265 85.100				8540	8550	8560	8580								
90 _{-0.054}	95 ^{+0.035}	95 ^{+0.120} _{+0.070}	90.265 90.100				9040	9050	9060	9080	9090							
100 _{-0.054}	105 ^{+0.035}	105 ^{+0.120} _{+0.070}	100.265 100.100				0.321 0.100	10050	10060	10080	10090	10095						
105 _{-0.054}	110 ^{+0.035}	110 ^{+0.120} _{+0.070}	105.265 105.100					10550	10560	10580	10590	10595	105100	105110				
110 _{-0.054}	115 ^{+0.035}	115 ^{+0.120} _{+0.070}	110.265 110.110					11050	11060	11080	11090	11095	110100	110110				
120 _{-0.054}	125 ^{+0.040}	125 ^{+0.170} _{+0.100}	120.270 120.110					12050	12060	12080	12090	12095	120100	120110				
125 _{-0.063}	130 ^{+0.040}	130 ^{+0.170} _{+0.100}	125.270 125.110	0.324 0.100	12550	12560	12580	12590	12595	125100	125110							
130 _{-0.063}	135 ^{+0.040}	135 ^{+0.170} _{+0.100}	130.270 130.110		13050	13060	13080	13090	13095	130100	130110							
140 _{-0.063}	145 ^{+0.040}	145 ^{+0.170} _{+0.100}	140.270 140.110		14050	14060	14080	14090	14095	140100	140110							
150 _{-0.063}	155 ^{+0.040}	155 ^{+0.170} _{+0.100}	150.270 150.110		15050	15060	15080	15090	15095	150100	150110							
160 _{-0.063}	165 ^{+0.040}	165 ^{+0.170} _{+0.100}	160.270 160.110		16050	16060	16080	16090	16095	160100	160110							
170 _{-0.063}	175 ^{+0.040}	175 ^{+0.170} _{+0.100}	170.270 170.110		17050	17060	17080	17090	17095	170100	170110							
180 _{-0.063}	185 ^{+0.046}	185 ^{+0.210} _{+0.130}	180.276 180.110		0.339 0.110	18050	18060	18080	18090	18095	180100	180110						
190 _{-0.072}	195 ^{+0.046}	195 ^{+0.210} _{+0.130}	190.276 190.110	19050		19060	19080	19090	19095	190100	190110	190120						
200 _{-0.072}	205 ^{+0.046}	205 ^{+0.210} _{+0.130}	200.276 200.110	20050		20060	20080	20090	20095	200100	200110	200120						
220 _{-0.072}	225 ^{+0.046}	225 ^{+0.210} _{+0.130}	220.276 220.110	22050		22060	22080	22090	22095	220100	220110	220120						
240 _{-0.072}	245 ^{+0.046}	245 ^{+0.210} _{+0.130}	240.276 240.110	24050		24060	24080	24090	24095	240100	240110	240120						
250 _{-0.072}	255 ^{+0.052}	255 ^{+0.260} _{+0.170}	250.282 250.110	0.354 0.110		25050	25060	25080	25090	25095	250100	250110	250120					
260 _{-0.081}	265 ^{+0.052}	265 ^{+0.260} _{+0.170}	260.282 260.110			26050	26060	26080	26090	26095	260100	260110	260120					
280 _{-0.081}	285 ^{+0.052}	285 ^{+0.260} _{+0.170}	280.282 280.110		28050	28060	28080	28090	28095	280100	280110	280120						
300 _{-0.081}	305 ^{+0.052}	305 ^{+0.260} _{+0.170}	300.282 300.110		30050	30060	30080	30090	30095	300100	300110	300120						