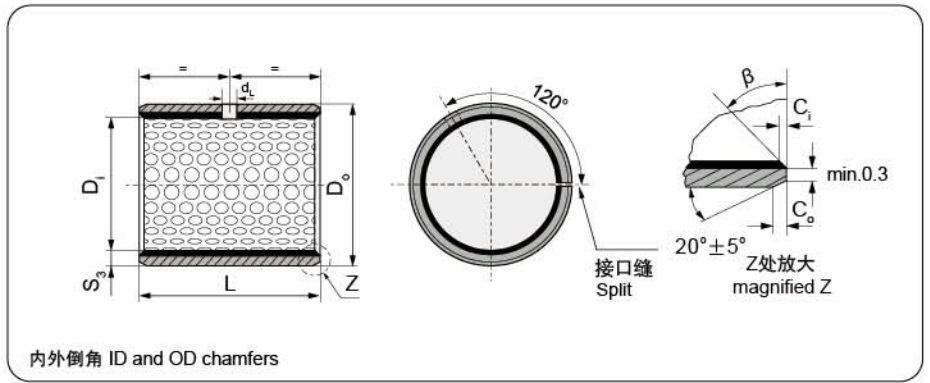


PX-2R 轴套 (低碳钢板+铜粉层+POM)

PX-2R BUSHING (Steel Backing +Sintered Bronze+POM Layer)



内外倒角 ID and OD chamfers

S <sub>3</sub>	C <sub>o</sub>	C <sub>i</sub>	β
1.0	0.6±0.3	0.30±0.2	30°±5°
1.5	0.7±0.3	0.50±0.2	30°±5°

S <sub>3</sub>	C <sub>o</sub>	C <sub>i</sub>	β
2.00	1.2±0.4	0.50±0.3	30°±5°
2.50	1.8±0.6	0.80±0.3	45°±5°

单位Unit: mm

轴径 Shaft D <sub>s</sub> h8	座孔 Housing H7 D <sub>H</sub>	(OD) 外径公差 Tolerance D <sub>o</sub>	(ID)压装后 内孔公差 After fixed D <sub>ia</sub>	配合间隙 Clearance D <sub>b</sub>	壁厚 Wall thick- ness S <sub>3</sub>	油孔 Oil hole d <sub>L</sub>	长度 L <sup>0</sup> <sub>-0.40</sub>														
							10	15	20	25	30	35	40	45	50	60					
10 <sub>-0.022</sub>	12 <sup>+0.018</sup>	12 <sup>+0.065</sup> <sub>+0.030</sub>	10.108 10.040	0.130 0.040	0.980 0.955	4	1010	1015	1020												
12 <sub>-0.027</sub>	14 <sup>+0.018</sup>	14 <sup>+0.065</sup> <sub>+0.030</sub>	12.108 12.040	0.135 0.040			1210	1215	1220												
14 <sub>-0.027</sub>	16 <sup>+0.018</sup>	16 <sup>+0.065</sup> <sub>+0.030</sub>	14.108 14.040				1415	1420													
15 <sub>-0.027</sub>	17 <sup>+0.018</sup>	17 <sup>+0.065</sup> <sub>+0.030</sub>	15.108 15.040				1515	1520	1525												
16 <sub>-0.027</sub>	18 <sup>+0.018</sup>	18 <sup>+0.065</sup> <sub>+0.030</sub>	16.108 16.040				1615	1620	1625												
18 <sub>-0.027</sub>	20 <sup>+0.021</sup>	20 <sup>+0.075</sup> <sub>+0.035</sub>	18.111 18.040				0.138 0.040	1815	1820	1825											
20 <sub>-0.033</sub>	23 <sup>+0.021</sup>	23 <sup>+0.075</sup> <sub>+0.035</sub>	20.131 20.050	0.164 0.050	1.475 1.445	6	2015	2020	2025	2030											
22 <sub>-0.033</sub>	25 <sup>+0.021</sup>	25 <sup>+0.075</sup> <sub>+0.035</sub>	22.131 22.050				2215	2220	2225	2230											
25 <sub>-0.033</sub>	28 <sup>+0.021</sup>	28 <sup>+0.075</sup> <sub>+0.035</sub>	25.131 25.050				2515	2520	2525	2530											
28 <sub>-0.033</sub>	32 <sup>+0.025</sup>	32 <sup>+0.085</sup> <sub>+0.045</sub>	28.155 28.060	0.188 0.060	1.970 1.935	8		2820	2825	2830											
30 <sub>-0.033</sub>	34 <sup>+0.025</sup>	34 <sup>+0.085</sup> <sub>+0.045</sub>	30.155 30.060					3020	3025	3030	3035	3040									
35 <sub>-0.039</sub>	39 <sup>+0.025</sup>	39 <sup>+0.085</sup> <sub>+0.045</sub>	35.155 35.060	0.194 0.060	2.460 2.415	8		3520	3525	3530	3535	3540									
40 <sub>-0.039</sub>	44 <sup>+0.025</sup>	44 <sup>+0.085</sup> <sub>+0.045</sub>	40.155 40.060					4020	4025	4030	4035	4040	4045	4050							
45 <sub>-0.039</sub>	50 <sup>+0.025</sup>	50 <sup>+0.085</sup> <sub>+0.045</sub>	45.195 45.080	0.234 0.080	2.460 2.415	8		4520	4525	4530	4535	4540	4545	4550							
50 <sub>-0.039</sub>	55 <sup>+0.030</sup>	55 <sup>+0.100</sup> <sub>+0.055</sub>	50.200 50.080				0.239 0.080	5030	5035	5040	5045	5050	5060								
55 <sub>-0.046</sub>	60 <sup>+0.030</sup>	60 <sup>+0.100</sup> <sub>+0.055</sub>	55.200 55.080	0.246 0.080	2.460 2.415	8				5530	5535	5540	5545	5550	5560						
60 <sub>-0.046</sub>	65 <sup>+0.030</sup>	65 <sup>+0.100</sup> <sub>+0.055</sub>	60.200 60.080				0.246 0.080	6030	6035	6040	6045	6050	6060								

## PX-2R 轴套 (低碳钢板+铜粉层+POM)

## PX-2R BUSHING (Steel Backing +Sintered Bronze+POM Layer)

轴径 Shaft D <sub>s</sub> h8	座孔 Housing H7 D <sub>H</sub>	(OD) 外径公差 Tolerance D <sub>o</sub>	(ID)压装后 内孔公差 After fixed D <sub>i,a</sub>	配合间隙 Clearance D <sub>o</sub>	壁厚 Wall thick- ness S <sub>3</sub>	油孔 Oil hole d <sub>L</sub>	长度 L <sup>0</sup> <sub>-0.40</sub>												
							40	50	60	80	90	95	100	110	120				
65 <sub>-0.046</sub>	70 <sup>+0.030</sup>	70 <sup>+0.100</sup> +0.055	65.200 65.080	0.246 0.080	2.460 2.415	8	6540	6550	6560										
70 <sub>-0.046</sub>	75 <sup>+0.030</sup>	75 <sup>+0.100</sup> +0.055	70.200 70.080				7040	7050	7060	7080									
75 <sub>-0.046</sub>	80 <sup>+0.030</sup>	80 <sup>+0.100</sup> +0.055	75.200 75.080				7540	7550	7560	7580									
80 <sub>-0.046</sub>	85 <sup>+0.035</sup>	85 <sup>+0.120</sup> +0.070	80.265 80.100	0.313 0.100	2.450 2.385	9.5	8040	8050	8060	8080									
85 <sub>-0.054</sub>	90 <sup>+0.035</sup>	90 <sup>+0.120</sup> +0.070	85.265 85.100				8540	8550	8560	8580									
90 <sub>-0.054</sub>	95 <sup>+0.035</sup>	95 <sup>+0.120</sup> +0.070	90.265 90.100				9040	9050	9060	9080	9090								
100 <sub>-0.054</sub>	105 <sup>+0.035</sup>	105 <sup>+0.120</sup> +0.070	100.265 100.100	0.321 0.100			10050	10060	10080	10090	10095								
105 <sub>-0.054</sub>	110 <sup>+0.035</sup>	110 <sup>+0.120</sup> +0.070	105.265 105.100				10550	10560	10580	10590	10595	105100	105110						
110 <sub>-0.054</sub>	115 <sup>+0.035</sup>	115 <sup>+0.120</sup> +0.070	110.265 110.110				11050	11060	11080	11090	11095	110100	110110						
120 <sub>-0.054</sub>	125 <sup>+0.040</sup>	125 <sup>+0.170</sup> +0.100	120.270 120.110	0.324 0.100			12050	12060	12080	12090	12095	120100	120110						
125 <sub>-0.063</sub>	130 <sup>+0.040</sup>	130 <sup>+0.170</sup> +0.100	125.270 125.110				12550	12560	12580	12590	12595	125100	125110						
130 <sub>-0.063</sub>	135 <sup>+0.040</sup>	135 <sup>+0.170</sup> +0.100	130.270 130.110				13050	13060	13080	13090	13095	130100	130110						
140 <sub>-0.063</sub>	145 <sup>+0.040</sup>	145 <sup>+0.170</sup> +0.100	140.270 140.110	0.339 0.110			14050	14060	14080	14090	14095	140100	140110						
150 <sub>-0.063</sub>	155 <sup>+0.040</sup>	155 <sup>+0.170</sup> +0.100	150.270 150.110				15050	15060	15080	15090	15095	150100	150110						
160 <sub>-0.063</sub>	165 <sup>+0.040</sup>	165 <sup>+0.170</sup> +0.100	160.270 160.110				16050	16060	16080	16090	16095	160100	160110						
170 <sub>-0.063</sub>	175 <sup>+0.040</sup>	175 <sup>+0.170</sup> +0.100	170.270 170.110	0.354 0.110			17050	17060	17080	17090	17095	170100	170110						
180 <sub>-0.063</sub>	185 <sup>+0.046</sup>	185 <sup>+0.210</sup> +0.130	180.276 180.110				18050	18060	18080	18090	18095	180100	180110						
190 <sub>-0.072</sub>	195 <sup>+0.046</sup>	195 <sup>+0.210</sup> +0.130	190.276 190.110				19050	19060	19080	19090	19095	190100	190110	190120					
200 <sub>-0.072</sub>	205 <sup>+0.046</sup>	205 <sup>+0.210</sup> +0.130	200.276 200.110	0.339 0.110			20050	20060	20080	20090	20095	200100	200110	200120					
220 <sub>-0.072</sub>	225 <sup>+0.046</sup>	225 <sup>+0.210</sup> +0.130	220.276 220.110				22050	22060	22080	22090	22095	220100	220110	220120					
240 <sub>-0.072</sub>	245 <sup>+0.046</sup>	245 <sup>+0.210</sup> +0.130	240.276 240.110				24050	24060	24080	24090	24095	240100	240110	240120					
250 <sub>-0.072</sub>	255 <sup>+0.052</sup>	255 <sup>+0.260</sup> +0.170	250.282 250.110	0.354 0.110			25050	25060	25080	25090	25095	250100	250110	250120					
260 <sub>-0.081</sub>	265 <sup>+0.052</sup>	265 <sup>+0.260</sup> +0.170	260.282 260.110				26050	26060	26080	26090	26095	260100	260110	260120					
280 <sub>-0.081</sub>	285 <sup>+0.052</sup>	285 <sup>+0.260</sup> +0.170	280.282 280.110				28050	28060	28080	28090	28095	280100	280110	280120					
300 <sub>-0.081</sub>	305 <sup>+0.052</sup>	305 <sup>+0.260</sup> +0.170	300.282 300.110				30050	30060	30080	30090	30095	300100	300110	300120					