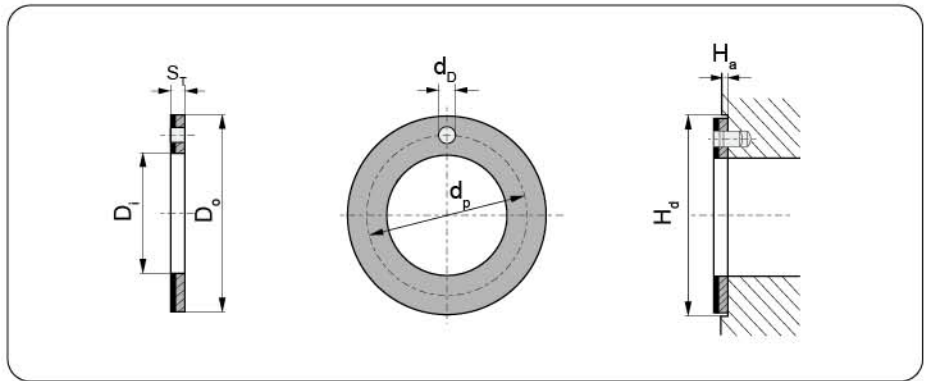


PU-1W 垫片 (低碳钢板+铜粉层+PTFE)

PU-1W Washer (Steel Backing +Sintered Bronze+PTFE Layer)

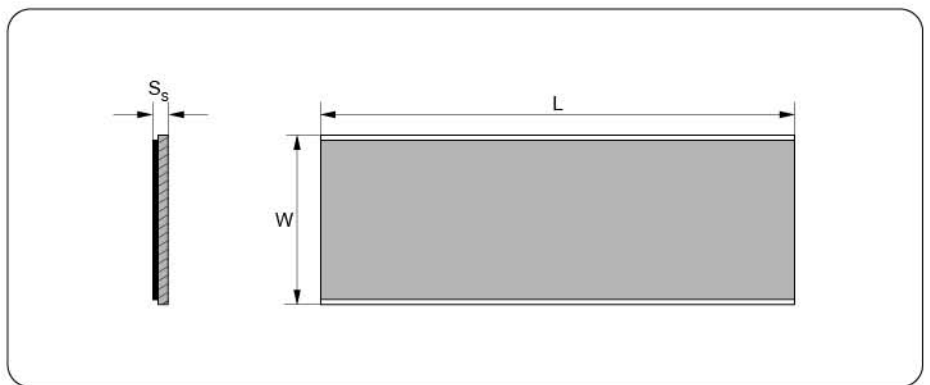
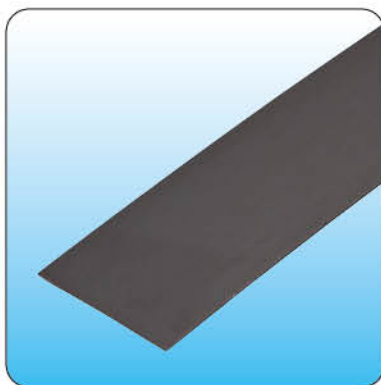


单位Unit: mm

轴径 Shaft D_s	型号规格 Standard No.	垫片尺寸 WCasher size				安装尺寸 Assemble size		$H_a+0.12$
		$D_i+0.25$	$D_o-0.25$	$S_T-0.05$	$d_p \pm 0.125$	$d_b^{+0.4}_{+0.1}$	$H_a \pm 0.2$	
8	WC10	10	20	1.5	15	1.5	1	20
10	WC12	12	24		18			24
12	WC14	14	26		20			26
14	WC16	16	30		23			30
16	WC18	18	32		25	32		
18	WC20	20	36		28	36		
20	WC22	22	38		30	38		
22	WC24	24	42		33	42		
24	WC26	26	44		35	44		
26	WC28	28	48		38	48		
30	WC32	32	54		43	54		
36	WC38	38	62		50	62		
40	WC42	42	66		54	66		
46	WC48	48	74		61	74		
50	WC52	52	78	2	65	1.5	78	
60	WC62	62	90		76		90	

PU-1SP 板材规格及公差

PU-1SP Strip Specification & Tolerance



单位Unit: mm

型号规格 Standard No.	长度 $L \pm 1$	宽度 $W \pm 1$	厚壁 Wall thickness $S_s-0.05$
SP	500	150	1.0
SP	500	150	1.5
SP	500	150	2.0
SP	500	150	2.5