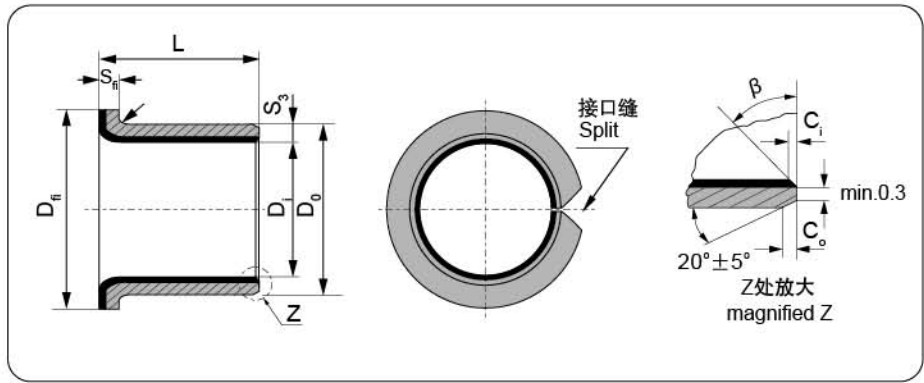


## PU-1F 翻边轴套 (低碳钢板+铜粉层+PTFE)

## PU-1F Flange Bushing (Steel Backing + Sintered Bronze + PTFE Layer)



S <sub>3</sub>	1.0	1.5	2.0	2.5
r	1 <sup>+0.5</sup>	1±0.5	1.5±0.5	2±0.5

单位Unit: mm

轴径 (F7) Shaft D <sub>s</sub>	座孔 (H7) Housing D <sub>H</sub>	(OD) 外径公差 Tolerance D <sub>O</sub>	(ID) 压装后 内孔公差 After fixed D <sub>ia</sub>	配合间隙 Clearance C <sub>O</sub>	Designation 型号规格	Wall thickness 壁厚 S <sub>3</sub>	尺寸 Dimension				
							D <sub>i</sub>	D <sub>O</sub>	D <sub>F</sub> ± 0.5	L ± 0.25	S <sub>F</sub> 0.2
6 -0.013 -0.028	8 +0.015	8 +0.055 +0.025	6.055 5.990	0.077 0.000	PU-1F06040	1.005 0.980	6	8	12	4	1
					7						
8 -0.013 -0.028	10 +0.015	10 +0.055 +0.025	8.055 7.990	0.083 0.003	PU-1F08055	1.005 0.980	8	10	15	5.5	1
					7.5						
10 -0.016 -0.034	12 +0.018	12 +0.055 +0.025	10.058 9.990	0.086 0.003	PU-1F10070	1.005 0.980	10	12	18	7	1
					9						
					12						
12 -0.016 -0.034	14 +0.018	14 +0.065 +0.030	12.058 11.990	0.092 0.006	PU-1F12070	1.005 0.980	12	14	20	7	1
					9						
					12						
					12						
14 -0.016 -0.034	16 +0.018	16 +0.065 +0.030	14.058 13.990	0.092 0.006	PU-1F14120	1.005 0.980	14	16	22	12	1
					17						
15 -0.016 -0.034	17 +0.018	17 +0.065 +0.030	15.058 14.990	0.095 0.006	PU-1F15090	1.005 0.980	15	17	23	9	1
					12						
					17						
16 -0.016 -0.034	18 +0.018	18 +0.065 +0.030	16.058 15.990	0.095 0.006	PU-1F16120	1.005 0.980	16	18	24	12	1
					17						
					12						
18 -0.016 -0.034	20 +0.021	20 +0.075 +0.035	18.061 17.990	0.095 0.006	PU-1F18120	1.005 0.980	18	20	26	17	1
					20						
					17						
20 -0.020 -0.041	23 +0.021	23 +0.075 +0.035	20.071 19.990	0.112 0.010	PU-1F20115	1.505 1.475	20	23	30	11.5	1.5
					16.5						
					21.5						
22 -0.020 -0.041	25 +0.021	25 +0.075 +0.035	22.071 21.990	0.112 0.010	PU-1F22150	1.505 1.475	22	25	32	15	1.5
					20						
					21.5						
25 -0.020 -0.041	28 +0.021	28 +0.075 +0.035	25.071 24.990	0.112 0.010	PU-1F25115	1.505 1.475	25	28	35	11.5	1.5
					16.5						
					21.5						
30 -0.025 -0.050	34 +0.025	34 +0.075 +0.035	30.085 29.990	0.126 0.010	PU-1F30160	2.005 1.970	30	34	42	16	2
					26						
35 -0.025 -0.050	39 +0.025	39 +0.085 +0.045	35.085 34.990	0.135 0.015	PU-1F35160	2.005 1.970	35	39	47	16	2
					26						
					26						
40 -0.025 -0.050	44 +0.025	44 +0.085 +0.045	40.085 39.990	0.135 0.015	PU-1F40260	2.005 1.970	40	44	53	26	2
					40						