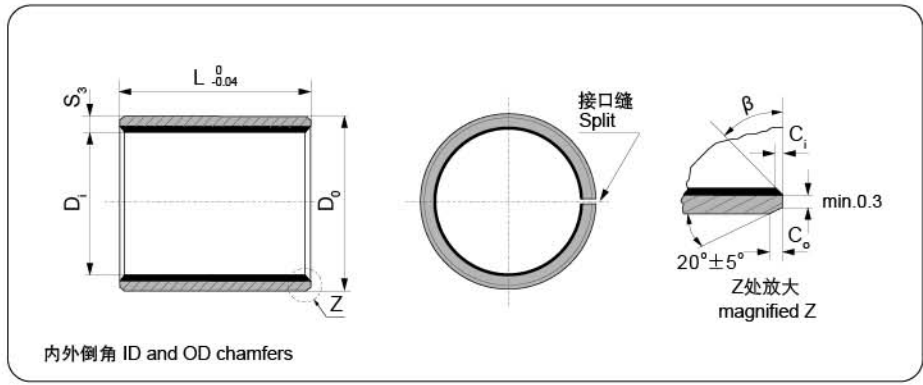


## PU-1B 轴套 (铜板+铜粉层+PTFE)

## PU-1B BUSHING (Bronze Backing + Sintered Bronze+PTFE Layer)



S <sub>3</sub>	C <sub>o</sub>	C <sub>i</sub>	β
0.75	0.5±0.3	0.25±0.2	30°±5°
1.00	0.6±0.3	0.30±0.2	30°±5°
1.50	0.7±0.3	0.50±0.3	30°±5°

S <sub>3</sub>	C <sub>o</sub>	C <sub>i</sub>	β
2.00	1.2±0.4	0.50±0.3	30°±5°
2.50	1.8±0.6	0.60±0.3	45°±5°

单位Unit: mm

轴径(φ) Shaft D <sub>s</sub>	座孔(H7) Housing D <sub>H</sub>	(OD) 外径公差 Tolerance D <sub>o</sub>	(ID)压装后 内孔公差 After fixed D <sub>i,a</sub>	配合间隙 Clearance D <sub>o</sub>	壁厚 Wall thick- ness S <sub>3</sub>	长度 L <sub>0</sub> <sup>0</sup> (d≤φ28 L-0.30 -0.40 d>φ30 L-0.40)																
						6	8	10	12	15	20	25	30	40	50							
6 -0.010 -0.022	8 +0.015	8 +0.055 +0.025	6.055 5.990	0.077 0.000	1.005 0.980	0606	0608	0610														
8 -0.013 -0.028	10 +0.015	10 +0.055 +0.025	8.055 7.990	0.083 0.003		0806	0808	0810	0812	0815												
10 -0.013 -0.028	12 +0.018	12 +0.065 +0.030	10.058 9.990	0.086 0.003		1006	1008	1010	1012	1015	1020											
12 -0.016 -0.034	14 +0.018	14 +0.065 +0.030	12.058 11.990	0.092 0.006		1206	1208	1210	1212	1215	1220	1225										
13 -0.016 -0.034	15 +0.018	15 +0.065 +0.030	13.058 12.990						1310	1312	1315	1320	1325									
14 -0.016 -0.034	16 +0.018	16 +0.065 +0.030	14.058 13.990						1410	1412	1415	1420	1425									
15 -0.016 -0.034	17 +0.018	17 +0.065 +0.030	15.058 14.990						1510	1512	1515	1520	1525									
16 -0.016 -0.034	18 +0.018	18 +0.065 +0.030	16.058 15.990	0.095 0.006					1610	1612	1615	1620	1625									
17 -0.016 -0.034	19 +0.021	19 +0.075 +0.035	17.061 16.990					1710	1712	1715	1720	1725										
18 -0.016 -0.034	20 +0.021	20 +0.075 +0.035	18.061 17.990					1810	1812	1815	1820	1825										
20 -0.020 -0.041	23 +0.021	23 +0.075 +0.035	20.071 19.990		0.112 0.010				2010	2012	2015	2020	2025	2030								
22 -0.020 -0.041	25 +0.021	25 +0.075 +0.035	22.071 21.990					2210	2212	2215	2220	2225	2230									
24 -0.020 -0.041	27 +0.021	27 +0.075 +0.035	24.071 23.990					2410	2412	2415	2420	2425	2430									
25 -0.020 -0.041	28 +0.021	28 +0.075 +0.035	25.071 24.990					2510	2512	2515	2520	2525	2530	2540	2550							
28 -0.020 -0.041	32 +0.025	32 +0.085 +0.045	28.085 27.990	0.126 0.010				2812	2815	2820	2825	2830	2840	2850								
30 -0.020 -0.041	34 +0.025	34 +0.085 +0.045	30.085 29.990						3012	3015	3020	3025	3030	3040	3050							
32 -0.025 -0.050	36 +0.025	36 +0.085 +0.045	32.085 31.990	0.135 0.015				3212	3215	3220	3225	3230	3240	3250								
35 -0.025 -0.050	39 +0.025	39 +0.085 +0.045	35.085 34.990					3512	3515	3520	3525	3530	3540	3550								
38 -0.025 -0.050	42 +0.025	42 +0.085 +0.045	38.085 37.990					3812	3815	3820	3825	3830	3840	3850								
40 -0.025 -0.050	44 +0.025	44 +0.085 +0.045	40.085 39.990					4012	4015	4020	4025	4030	4040	4050								

PU-1B 轴套 (铜板+铜粉层+PTFE)

PU-1B BUSHING (Bronze Backing +Sintered Bronze+PTFE Layer)

轴径(f7) Shaft D <sub>s</sub>	座孔(H7) Housing D <sub>H</sub>	(OD) 外径公差 Tolerance D <sub>o</sub>	(ID)压装后 内孔公差 After fixed D <sub>ia</sub>	配合间隙 Clearance D <sub>D</sub>	壁厚 Wall thick- ness S <sub>3</sub>	长度 L <sub>0</sub> <sup>0</sup> <sub>-0.40</sub>												
						20	25	30	40	50	60	70	80	100	115			
45 <sup>-0.050</sup> <sub>-0.025</sub>	50 <sup>+0.025</sup>	50 <sup>+0.085</sup> <sub>+0.045</sub>	45.105 44.990	0.155 0.015	2.505 2.460	4520	4525	4530	4540	4550								
50 <sup>-0.050</sup> <sub>-0.025</sub>	55 <sup>+0.030</sup>	55 <sup>+0.100</sup> <sub>+0.055</sub>	50.110 49.990	0.160 0.015		5020	5025	5030	5040	5050	5060							
55 <sup>-0.060</sup> <sub>-0.030</sub>	60 <sup>+0.030</sup>	60 <sup>+0.100</sup> <sub>+0.055</sub>	55.110 54.990	0.170 0.020				5530	5540	5550	5560							
60 <sup>-0.060</sup> <sub>-0.030</sub>	65 <sup>+0.030</sup>	65 <sup>+0.100</sup> <sub>+0.055</sub>	60.110 59.990						6030	6040	6050	6060	6070					
65 <sup>-0.060</sup> <sub>-0.030</sub>	70 <sup>+0.030</sup>	70 <sup>+0.100</sup> <sub>+0.055</sub>	65.110 64.990						6530	6540	6550	6560	6570					
70 <sup>-0.060</sup> <sub>-0.030</sub>	75 <sup>+0.030</sup>	75 <sup>+0.100</sup> <sub>+0.055</sub>	70.110 69.990						7030	7040	7050	7060	7070	7080				
75 <sup>-0.060</sup> <sub>-0.030</sub>	80 <sup>+0.030</sup>	80 <sup>+0.100</sup> <sub>+0.055</sub>	75.110 74.990						7530	7540	7550	7560	7570	7580				
80 <sup>-0.045</sup>	85 <sup>+0.035</sup>	85 <sup>+0.120</sup> <sub>+0.070</sub>	80.155 80.020	0.201 0.020	2.490 2.440				8040	8050	8060	8070	8080	80100				
85 <sup>-0.054</sup>	90 <sup>+0.035</sup>	90 <sup>+0.120</sup> <sub>+0.070</sub>	85.155 85.020	0.209 0.020					8540	8550	8560	8570	8580	85100				
90 <sup>-0.054</sup>	95 <sup>+0.035</sup>	95 <sup>+0.120</sup> <sub>+0.070</sub>	90.155 90.020						9040	9050	9060	9070	9080	90100				
95 <sup>-0.054</sup>	100 <sup>+0.035</sup>	100 <sup>+0.120</sup> <sub>+0.070</sub>	95.155 95.020							9550	9560	9570	9580	95100				
100 <sup>-0.054</sup>	105 <sup>+0.035</sup>	105 <sup>+0.120</sup> <sub>+0.070</sub>	100.155 100.020							10050	10060	10070	10080	100100	100115			
105 <sup>-0.054</sup>	110 <sup>+0.035</sup>	110 <sup>+0.120</sup> <sub>+0.070</sub>	105.155 105.020								10560	10570	10580	105100	105115			
110 <sup>-0.054</sup>	115 <sup>+0.035</sup>	115 <sup>+0.120</sup> <sub>+0.070</sub>	110.115 110.020								11060	11070	11080	110100	110115			
120 <sup>-0.054</sup>	125 <sup>+0.040</sup>	125 <sup>+0.170</sup> <sub>+0.100</sub>	120.210 120.070	0.264 0.070	2.465 2.415					12060	12070	12080	120100	120115				
125 <sup>-0.063</sup>	130 <sup>+0.040</sup>	130 <sup>+0.170</sup> <sub>+0.100</sub>	125.210 125.070	0.273 0.070						12560	12570	12580	125100	125115				
130 <sup>-0.063</sup>	135 <sup>+0.040</sup>	135 <sup>+0.170</sup> <sub>+0.100</sub>	130.210 130.070								13060	13070	13080	130100	130115			
140 <sup>-0.063</sup>	145 <sup>+0.040</sup>	145 <sup>+0.170</sup> <sub>+0.100</sub>	140.210 140.070								14060	14070	14080	140100	140115			
150 <sup>-0.063</sup>	155 <sup>+0.040</sup>	155 <sup>+0.170</sup> <sub>+0.100</sub>	150.210 150.070								15060	15070	15080	150100	150115			
160 <sup>-0.063</sup>	165 <sup>+0.040</sup>	165 <sup>+0.170</sup> <sub>+0.100</sub>	160.210 160.070								16060	16070	16080	160100	160115			
180 <sup>-0.063</sup>	185 <sup>+0.046</sup>	185 <sup>+0.210</sup> <sub>+0.130</sub>	180.216 180.070	0.279 0.070	2.465 2.415					18060	18070	18080	180100					
190 <sup>-0.072</sup>	195 <sup>+0.046</sup>	195 <sup>+0.210</sup> <sub>+0.130</sub>	190.216 190.070	0.288 0.070						19060	19070	19080	190100					
200 <sup>-0.072</sup>	205 <sup>+0.046</sup>	205 <sup>+0.210</sup> <sub>+0.130</sub>	200.016 200.070								20060	20070	20080	200100				
220 <sup>-0.072</sup>	225 <sup>+0.046</sup>	225 <sup>+0.210</sup> <sub>+0.130</sub>	220.216 220.070								22060	22070	22080	220100				
250 <sup>-0.072</sup>	255 <sup>+0.052</sup>	255 <sup>+0.260</sup> <sub>+0.170</sub>	250.222 250.070	0.294 0.070	2.465 2.415							25080	250100					
260 <sup>-0.081</sup>	265 <sup>+0.052</sup>	265 <sup>+0.260</sup> <sub>+0.170</sub>	260.222 260.070	0.303 0.070									26080	260100				
280 <sup>-0.081</sup>	285 <sup>+0.052</sup>	285 <sup>+0.260</sup> <sub>+0.170</sub>	280.222 280.070											28080	280100			
300 <sup>-0.081</sup>	305 <sup>+0.052</sup>	305 <sup>+0.260</sup> <sub>+0.170</sub>	300.222 300.070											30080	300100			