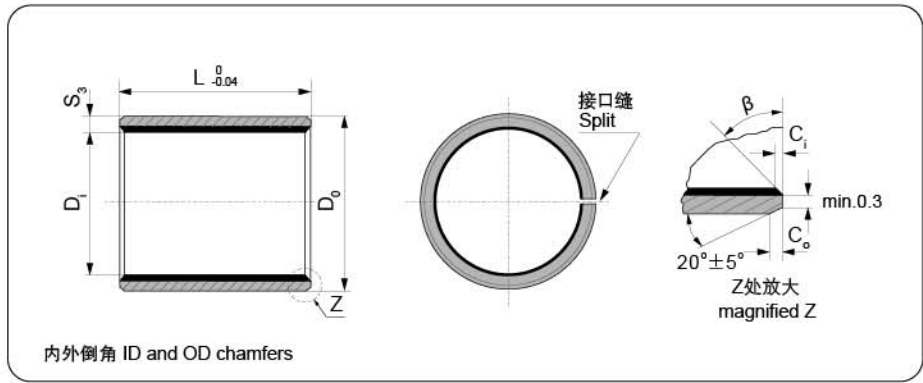


PS-316 不锈钢喷塑轴套 (316不锈钢板+PTFE)

PS-316 BUSHING (AISI316+PTFE Layer)



S ₃	C _o	C _i	β
0.75	0.5±0.3	0.25±0.2	30°±5°
1.00	0.6±0.3	0.30±0.2	30°±5°
1.50	0.7±0.3	0.50±0.3	30°±5°

S ₃	C _o	C _i	β
2.00	1.2±0.4	0.50±0.3	30°±5°
2.50	1.8±0.6	0.60±0.3	45°±5°

单位Unit: mm

轴径(f7) Shaft D _s	座孔(H7) Housing D _H	(OD) 外径公差 Tolerance D _o	(ID)压装后 内孔公差 After fixed D _{i,a}	配合间隙 Clearance D _o	壁厚 Wall thick- ness S ₃	长度 L ⁰ / _{-0.40} (d≤Φ28 L-0.30 / d>Φ30 L-0.40)																
						6	8	10	12	15	20	25	30	40	50							
6	-0.010 -0.022	8	+0.015	8	+0.055 +0.025	6.055 5.990	0.077 0.000															
8	-0.013 -0.028	10	+0.015	10	+0.055 +0.025	8.055 7.990	0.083 0.003															
10	-0.013 -0.028	12	+0.018	12	+0.065 +0.030	10.058 9.990	0.086 0.003															
12	-0.016 -0.034	14	+0.018	14	+0.065 +0.030	12.058 11.990	0.092 0.006															
13	-0.016 -0.034	15	+0.018	15	+0.065 +0.030	13.058 12.990																
14	-0.016 -0.034	16	+0.018	16	+0.065 +0.030	14.058 13.990																
15	-0.016 -0.034	17	+0.018	17	+0.065 +0.030	15.058 14.990																
16	-0.016 -0.034	18	+0.018	18	+0.065 +0.030	16.058 15.990																
17	-0.016 -0.034	19	+0.021	19	+0.075 +0.035	17.061 16.990		0.095 0.006														
18	-0.016 -0.034	20	+0.021	20	+0.075 +0.035	18.061 17.990																
20	-0.020 -0.041	23	+0.021	23	+0.075 +0.035	20.071 19.990	0.112 0.010															
22	-0.020 -0.041	25	+0.021	25	+0.075 +0.035	22.071 21.990																
24	-0.020 -0.041	27	+0.021	27	+0.075 +0.035	24.071 23.990																
25	-0.020 -0.041	28	+0.021	28	+0.075 +0.035	25.071 24.990																
28	-0.020 -0.041	32	+0.025	32	+0.085 +0.045	28.085 27.990	0.126 0.010															
30	-0.020 -0.041	34	+0.025	34	+0.085 +0.045	30.085 29.990																
32	-0.025 -0.050	36	+0.025	36	+0.085 +0.045	32.085 31.990	2.005 1.970															
35	-0.025 -0.050	39	+0.025	39	+0.085 +0.045	35.085 34.990																
38	-0.025 -0.050	42	+0.025	42	+0.085 +0.045	38.085 37.990																
40	-0.025 -0.050	44	+0.025	44	+0.085 +0.045	40.085 39.990																

PS-316 不锈钢喷塑轴套 (316不锈钢板+PTFE)

PS-316 BUSHING (AISI316+PTFE Layer)

轴径(f7) Shaft D _s	座孔(H7) Housing D _H	(OD) 外径公差 Tolerance D _o	(ID)压装后 内孔公差 After fixed D _{ia}	配合间隙 Clearance D _o	壁厚 Wall thick- ness S ₃	长度 L ₀ ⁰ _{-0.40}												
						20	25	30	40	50	60	70	80	100	115			
45 ^{-0.050} _{-0.025}	50 ^{+0.025}	50 ^{+0.085} _{+0.045}	45.105 44.990	0.155 0.015	2.505 2.460	4520	4525	4530	4540	4550								
50 ^{-0.050} _{-0.025}	55 ^{+0.030}	55 ^{+0.100} _{+0.055}	50.110 49.990	0.160 0.015		5020	5025	5030	5040	5050	5060							
55 ^{-0.060} _{-0.030}	60 ^{+0.030}	60 ^{+0.100} _{+0.055}	55.110 54.990	0.170 0.020				5530	5540	5550	5560							
60 ^{-0.060} _{-0.030}	65 ^{+0.030}	65 ^{+0.100} _{+0.055}	60.110 59.990						6030	6040	6050	6060	6070					
65 ^{-0.060} _{-0.030}	70 ^{+0.030}	70 ^{+0.100} _{+0.055}	65.110 64.990						6530	6540	6550	6560	6570					
70 ^{-0.060} _{-0.030}	75 ^{+0.030}	75 ^{+0.100} _{+0.055}	70.110 69.990						7030	7040	7050	7060	7070	7080				
75 ^{-0.060} _{-0.030}	80 ^{+0.030}	80 ^{+0.100} _{+0.055}	75.110 74.990						7530	7540	7550	7560	7570	7580				
80 ^{-0.045}	85 ^{+0.035}	85 ^{+0.120} _{+0.070}	80.155 80.020	0.201 0.020	2.490 2.440				8040	8050	8060	8070	8080	80100				
85 ^{-0.054}	90 ^{+0.035}	90 ^{+0.120} _{+0.070}	85.155 85.020	0.209 0.020					8540	8550	8560	8570	8580	85100				
90 ^{-0.054}	95 ^{+0.035}	95 ^{+0.120} _{+0.070}	90.155 90.020						9040	9050	9060	9070	9080	90100				
95 ^{-0.054}	100 ^{+0.035}	100 ^{+0.120} _{+0.070}	95.155 95.020							9550	9560	9570	9580	95100				
100 ^{-0.054}	105 ^{+0.035}	105 ^{+0.120} _{+0.070}	100.155 100.020							10050	10060	10070	10080	100100	100115			
105 ^{-0.054}	110 ^{+0.035}	110 ^{+0.120} _{+0.070}	105.155 105.020								10560	10570	10580	105100	105115			
110 ^{-0.054}	115 ^{+0.035}	115 ^{+0.120} _{+0.070}	110.115 110.020								11060	11070	11080	110100	110115			
120 ^{-0.054}	125 ^{+0.040}	125 ^{+0.170} _{+0.100}	120.210 120.070	0.264 0.070	2.465 2.415					12060	12070	12080	120100	120115				
125 ^{-0.063}	130 ^{+0.040}	130 ^{+0.170} _{+0.100}	125.210 125.070	0.273 0.070						12560	12570	12580	125100	125115				
130 ^{-0.063}	135 ^{+0.040}	135 ^{+0.170} _{+0.100}	130.210 130.070								13060	13070	13080	130100	130115			
140 ^{-0.063}	145 ^{+0.040}	145 ^{+0.170} _{+0.100}	140.210 140.070								14060	14070	14080	140100	140115			
150 ^{-0.063}	155 ^{+0.040}	155 ^{+0.170} _{+0.100}	150.210 150.070								15060	15070	15080	150100	150115			
160 ^{-0.063}	165 ^{+0.040}	165 ^{+0.170} _{+0.100}	160.210 160.070								16060	16070	16080	160100	160115			
180 ^{-0.063}	185 ^{+0.046}	185 ^{+0.210} _{+0.130}	180.216 180.070	0.279 0.070	2.465 2.415					18060	18070	18080	180100					
190 ^{-0.072}	195 ^{+0.046}	195 ^{+0.210} _{+0.130}	190.216 190.070	0.288 0.070						19060	19070	19080	190100					
200 ^{-0.072}	205 ^{+0.046}	205 ^{+0.210} _{+0.130}	200.016 200.070								20060	20070	20080	200100				
220 ^{-0.072}	225 ^{+0.046}	225 ^{+0.210} _{+0.130}	220.216 220.070								22060	22070	22080	220100				
250 ^{-0.072}	255 ^{+0.052}	255 ^{+0.260} _{+0.170}	250.222 250.070	0.294 0.070	2.465 2.415							25080	250100					
260 ^{-0.081}	265 ^{+0.052}	265 ^{+0.260} _{+0.170}	260.222 260.070	0.303 0.070									26080	260100				
280 ^{-0.081}	285 ^{+0.052}	285 ^{+0.260} _{+0.170}	280.222 280.070											28080	280100			
300 ^{-0.081}	305 ^{+0.052}	305 ^{+0.260} _{+0.170}	300.222 300.070											30080	300100			