

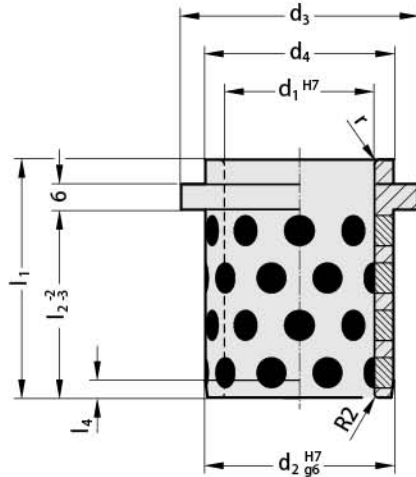


自润滑法兰轴套
PBG280.

Oilless Guide Bushes
with collar



PBG280.



材料：铜合金，固体润滑剂

备注：推荐相配座孔公差：H7
轴套仅用于轴向运动

Material:
Bronze, graphite
oilless lubricating.

Note:
Fit for receiving bore: H7.

运动方向
Direction of
Motion



PBG280.

d_1	25	32	40	50	63	80	100	125
d_2	32	40	50	63	80	100	125	160
d_3	40	50	63	71	90	112	140	180
d_4	32	40	50	63	80	100	125	160
l_1	40	50	63	71	80	100	125	160
l_2	34	40	50	56	63	80	106	132
l_4	4	4	5	6	8	10	12	12
r	3	3	3	5	6	8	10	12

订购代码（例）：
Ordering Code (example):

法兰轴套 Guide Bush = PBG280.
 $d_1 = 32 \text{ mm}$ = 032
订购代码 Order No = PBG280.032