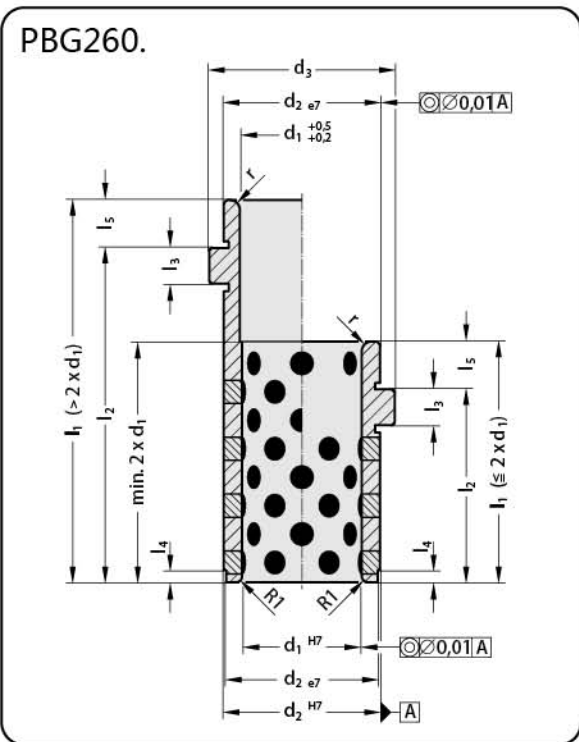




# 自润滑法兰轴套 PBG260.

# Oilless Guide Bushes with collar



材料：铜合金，固体润滑剂

备注：推荐相配座孔公差：H7  
轴套仅用于轴向运动

Material:  
Bronze,graphite  
oilless lubricating.

Note:  
Fit for receiving bore: H7.

运动方向  
Direction of  
Motion



订购代码（例）：  
Ordering Code (example):

法兰轴套 Guide bush with collar = PBG260.

$d_1 = 18 \text{ mm}$  = 018.

$l_2 = 27 \text{ mm}$  = 027

订购代码 Order No = PBG260. 018.027

## PBG260.

$d_1$	9	10	14	15	18	20	22	24	30	32	40	42
$d_2$		14	20	25	31	35	47	60				
$d_3$		16	25	31	35	47	60					
$l_3$		3	6	6	6	6	6	10				
$l_4$		1,5	2	2	3	4	5					
$l_5$		3	6	8	8	8	12					
$r$		0,5	1	2	3	3	3					

$l_1$	$l_2$											
15	12											
20	17	●										
23	17		●									
25	17				●							
25	22	●				●						
28	22		●									
30	22					●		●				
30	27	●										
33	27		●									
35	27					●		●		●		
39	36	●										
42	36		●									
44	36					●		●		●		
52	46		●									
54	46					●		●		●		
58	46											●
62	56		●									
64	56					●		●		●		
68	56											●
74	66					●		●		●		
78	66											●
84	76							●		●		
88	76											●
94	86							●		●		
98	86											●
104	96									●		
108	96											●
124	116									●		
128	116											●
148	136											●
168	156											●