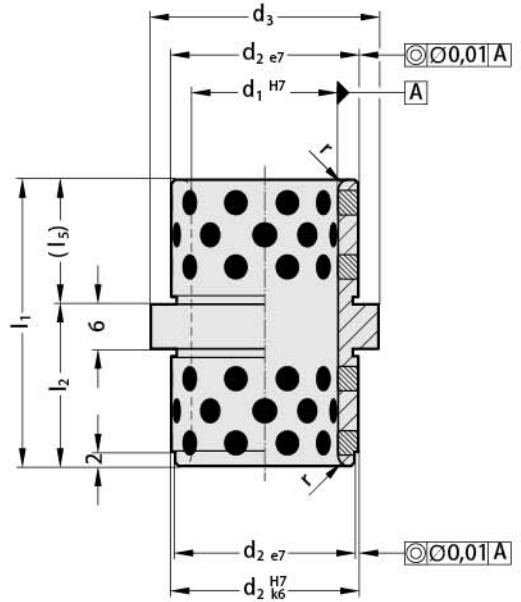


Oilless Guide Bushes with collar

自润滑法兰轴套 PBG250.



PBG250.



材料：铜合金，固体润滑剂
备注：推荐相配座孔公差：H7
轴套仅用于轴向运动

Material:
Bronze, graphite
oilless lubricating.
Note:
Fit for receiving bore: H7.



PBG250.

d_1	14	15	18	20	22	24	30	32
d_2	20		26		30		42	
d_3	25		31		35		47	
r	1		1,5		2		2	
l_1	26		39		49		63	
l_2	17		22		27		36	
l_3	9		17		22		27	

订购代码（例）：
Ordering Code (example):

中法兰轴套 Guide bush with centre collar = PBG2 50.
 $d_1 = 20$ mm = 020.
 $l_2 = 22$ mm = 022
 订购代码 Order No = PBG250.020.022