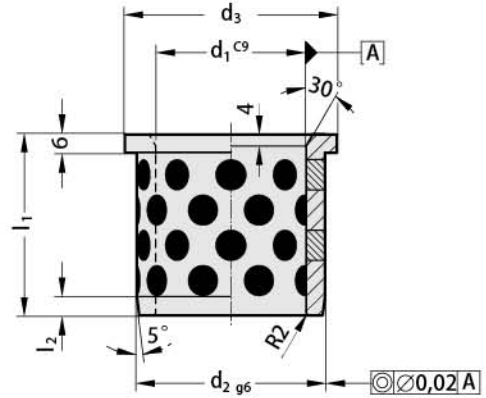


Oilless Guide Bushes  
with collar

自润滑法兰轴套  
PBG230.



PBG230.



材料：铜合金，固体润滑剂  
备注：推荐相配座孔公差：H7  
轴套仅用于轴向和径向运动

Material:  
Bronze, graphite  
oilless lubricating.  
Note:  
Fit for receiving bore: H7.



PBG230.

$d_1$	32	40	50	63	80	100
$d_2$	40	50	63	80	100	125
$d_3$	50	63	71	90	112	140
$l_1$	50	55	63	75	90	115
$l_2$	4	5	6	8	10	12

订购代码 (例) :  
Ordering Code (example):

法兰轴套 Guide Bush = PBG230.

$d_1 = 32$  mm = 032

订购代码 Order No = PBG230.032