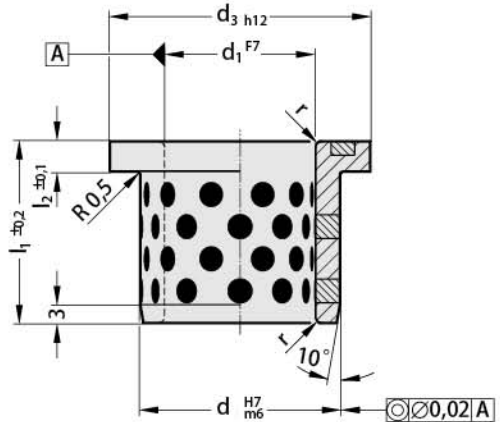


Oilless Guide Bushes with collar

自润滑法兰轴套 PBG210.



PBG210.

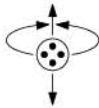


材料：铜合金，固体润滑剂

备注：推荐相配座孔公差：H7
轴套可用于轴向和径向运动

Material:
Bronze, graphite
oilless lubricating.
Note:
Fit for receiving bore: H7.
Notice:
Bushes can be used with radial or
axial motion.

运动方向
Direction of
Motion



PBG210.

d ₁	12	16	20	25	30	40	50	60
d ₂	18	22	28	33	38	50	62	75
d ₃	25	30	36	43	48	60	75	90
r	1	1	1	1	1	2	2	3
l ₁	15	20	25	30	35	45	55	65
l ₂	4	5	5	5	5	5	6	7

订购代码（例）：
Ordering Code (example)

法兰轴套 Guide Bush with Collar = PBG210.

d₁ = 25 mm = 025.

l₁ = 30 mm = 030

订购代码 Order No = PBG210.025.030