

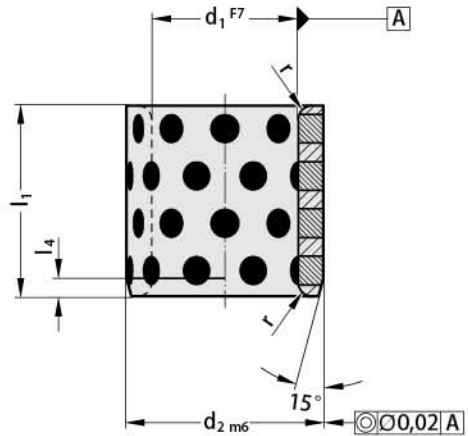


# 自润滑轴套 PBG100.

# Oilless Guide Bushes



PBG100.



材料：铜合金，固体润滑剂

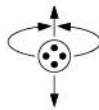
备注：推荐相配座孔公差：H7  
装配后轴套内孔公差：G7  
轴套可用于轴向和径向运动

Material:  
Bronze, graphite  
Lubricant, oilless lubricating.

Note:  
Recommended fits for:  
press fits: H 7 bore  
contact adhesive: G 7 bore

Notice:  
Note that press fitment reduces inside  
bush diameter.  
Bushes can be used with radial or  
axial motion.

运动方向  
Direction of  
Motion



## PBG100.

	d <sub>1</sub>	8	10	12	13	14	15	16	18	19	20	24	25	28	30	31,5	32	35	38	40
d <sub>2</sub>	12	14/15	18	19	20	21	22	24	25	28/30	32	33/35	38	38/40	40	42	44/45	48	50/55	
r	0,5	0,5	0,5	0,5	0,5	0,75	0,75	0,75	0,75	0,75	0,75	0,75	0,75	0,75	0,75	0,75	0,75	1,5	1,5	
l <sub>4</sub>	2	2	2	2	2	2	2	2	2	4	4	4	4	4	4	4	4	4	4	
l <sub>1</sub>	8	●	●/ -																	
	10	●	●/●	●	●	●	●	●												
	12	●	●/ -	●																
	15	●	●/ -	●	●	●	●	●					●/ -							
	16			●	●	●	●	●					●/●							
	20		●/ -	●	●	●	●	●	●				●/●		●/●				-/●	●/ -
	25			●		●	●	●	●				●/●		●/●				●/●	●/●
	30			●		●	●	●	●				●/●		●/●	●	●	●	●	●/●
	35					●	●	●	●				●/●		●/●			●/●	●/●	●/●
	37								●				●/ -							
	40						●	●					●/●		●/●	●	●	●/●	●	●/●
	47											●	●/ -							
	50											●/ -	●/●		●/●			●/●	●/●	●/●
	60												●/ -		●/●			●/●	●/●	●/●
	70												●/ -		●/●		●	●/●	●/●	●/ -
	77																			●/ -
	80																			●/ -

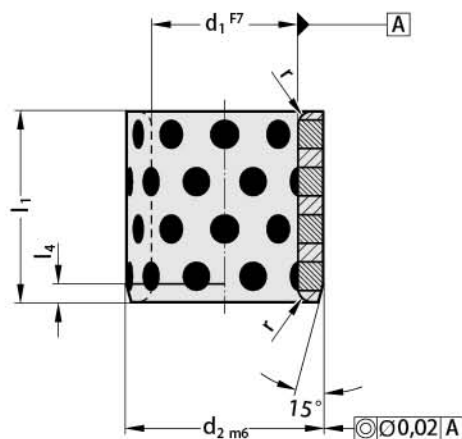
订购代码 (例) :  
Ordering Code (example):  
轴套 Guide Bush = PBG100.  
d<sub>1</sub> = 40 mm = 040.  
d<sub>2</sub> = 50 mm = 050.  
l<sub>1</sub> = 60 mm = 060  
订购代码 Order No = PBG100.040.050.060

# Oiless Guide Bushes

# 自润滑轴套 PBG100.



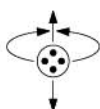
PBG100.



材料：铜合金，固体润滑剂  
 备注：推荐相配座孔公差：H7  
 装配后轴套内孔公差：G7  
 轴套可用于轴向和径向运动

Material:  
 Bronze,graphite  
 Lubricant, oilless lubricating.  
 Note:  
 Recommended fits for:  
 press fits: H 7 bore  
 contact adhesive: G 7 bore  
 Notice:  
 Note that press fitment reduces inside  
 bush diameter.  
 Bushes can be used with radial or  
 axial motion.

运动方向  
 Direction of  
 Motion



PBG100.

	50	55	60	63	65	70	75	80	85	90	100	110	120	125	130	140	150	160
d <sub>1</sub>	50	55	60	63	65	70	75	80	85	90	100	110	120	125	130	140	150	160
d <sub>2</sub>	60/62/65	70	74/75	75	80	85/90	90/95	96/100	100	110	120	130	140	145	150	160	170	180
r	1,5	2	2	2	2	2	2	2	2	2	2	2	2	2	2	2	2	2
l <sub>4</sub>	4	4	4	4	4	4	4	4	4	4	4	4	4	4	4	4	4	4
l <sub>1</sub> 30	●/●/●		●/●															
35	●/●/-		●/●			●/-												
37																		
40	●/●/●	●	●/●			●/-		●/●										
47																		
50	●/●/●	●	●/●		●	●/●		●/●										
60	●/●/●	●	●/●	●	●	●/●	●/●	●/●		●	●							
70	●/●/●	●	●/●	●	●	●/●	●/●	●/●		●	●							
77																		
80	●/-		●/●	●	●	●/●	●/●	●/●	●	●	●	●	●					
95	●/-																	
100	-/●		-/●			●/-	●/●	●/●		●	●	●	●	●	●	●	●	●
120				●				●/●		●	●	●	●	●	●			
130															●			
140								-/●			●		●			●		
150																	●	●